

## BYARM Series 7" 18.5"



### I/O View



BYARM-W071-PC



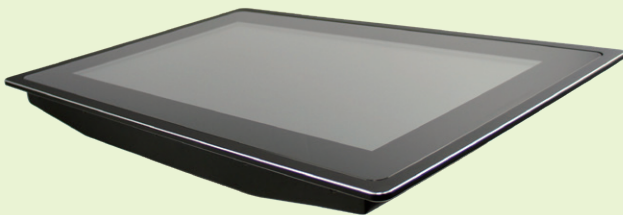
BYARM-181-PC



### Features

- Freescale i.MX6 high performance processor
- Projected capacitive touch screen, flat bezel design

- 12V DC and PoE support (BYARM-181-PC only)
- Programmable LED light bar (rear)
- External SD card slot for storage expansion
- Supports Android 4.3x



# BYARM-W071-PC / BYARM-181-PC

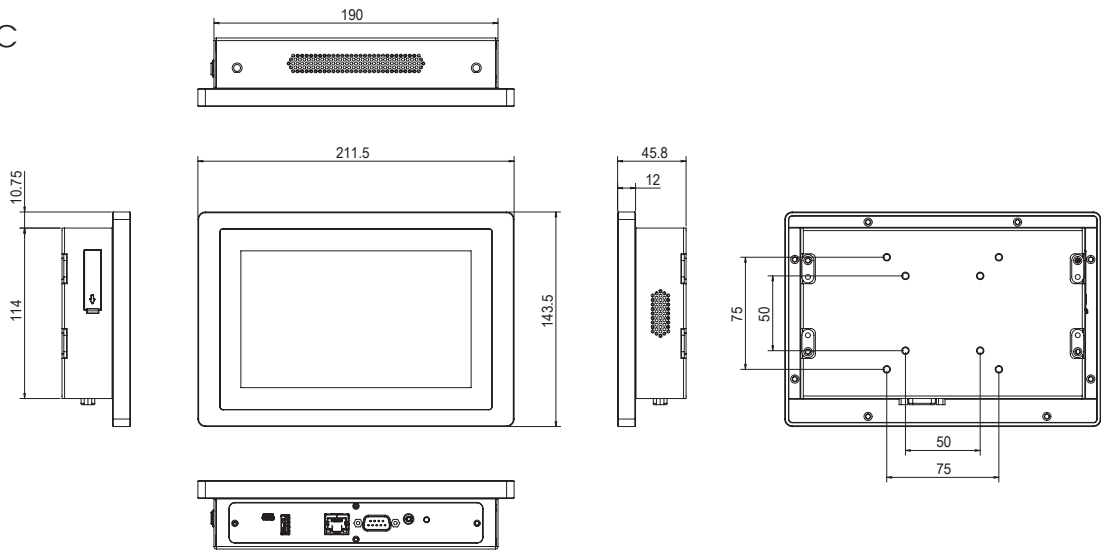
## Specifications

Model No.		BYARM-W071-PC	BYARM-181-PC
Display & Touch Screen	Display Size	7" TFT-LCD	18.5" TFT-LCD
	Max. Resolution	1024 x 600	1366 x 768
	Luminance (cd/m2)	500	300
	Contrast	800:1	1000:1
	Max. Color	16.7M	16.7M
	View Angle (H°/V°)	160/160	170/160
	Backlight Lifetime(hrs)	50000	50000
	Touch Type	Projected capacitive	Projected capacitive
	Touch Interface	USB	USB
	Light Transmission (%)	85	85
	Point of touch	2	2
I/O Interface	USB 3.0	0	0
	USB 2.0	1x USB 2.0 Type A flag type 1x mini USB OTG support	1x USB (USB Host, A-Type) (Flag type) 1x USB OTG (mini AB type)
	RS-232/422/485 Selectable in BIOS	1	1
	RS-232	0	0
	LAN	1x GbE	1x GbE
	Additional Graphics	None	None
	Audio	None	None
	Digital I/O	None	None
	Power Connector	Power jack	Power jack
	Power Button	Reset button	Reset button
Mechanical	Dimensions (mm)	211.5 x 143.5 x 45.8	520 x 341 x 68.3
	Net Weight (kgs)	1.5	6.1
System	Processor	Freescall i.MX6 Cortex A9 Dual-Core @ 1GHz	Freescall i.MX6 Cortex A9 Solo 1 Core @ 1GHz
	Memory	1GB DDR3L on board	1GB DDR3 on board
	Thermal Design	Fanless	Fanless
	Membrane Control	None	None
	Built-in Speaker/MIC	2x speaker	2x speaker
Expansion	Internal Expansion Bus	1x Mini PCI-E(x1) [full/half-sized]	1x Mini PCI-E slot (full/half size)
	Expansion Slot	None	None
	Wireless	Optional Wi-Fi/BT	Optional Wi-Fi/BT
Storage Space	HDD	4GB eMMC on board	4GB eMMC on board
	Removable	1x SD slot	1x SD slot
Power	Power Input Range	12V~24V DC	12V DC / PoE+
Construction	Chassis Material	Aluminum front bezel and white steel back cover with aluminum heat-sink	Black aluminum front bezel and black steel back cover
	Color (Front/Back)	Black / White	Black / Black
	IP Rating	IP65 front bezel	IP65 front bezel
	Mounting	Panel mount and VESA 50x50 mm	VESA 75x75, 100x100 mm
Environmental	Operating Temperature	-20°C~60°C	0°C~50°C
	Storage Temperature	-30°C~80°C	-20°C~60°C
	Storage Humidity	10%~90% (non-condensing)	
	Certification	CE/FCC Class B	
	Supported Operating Systems	Android 4.3	

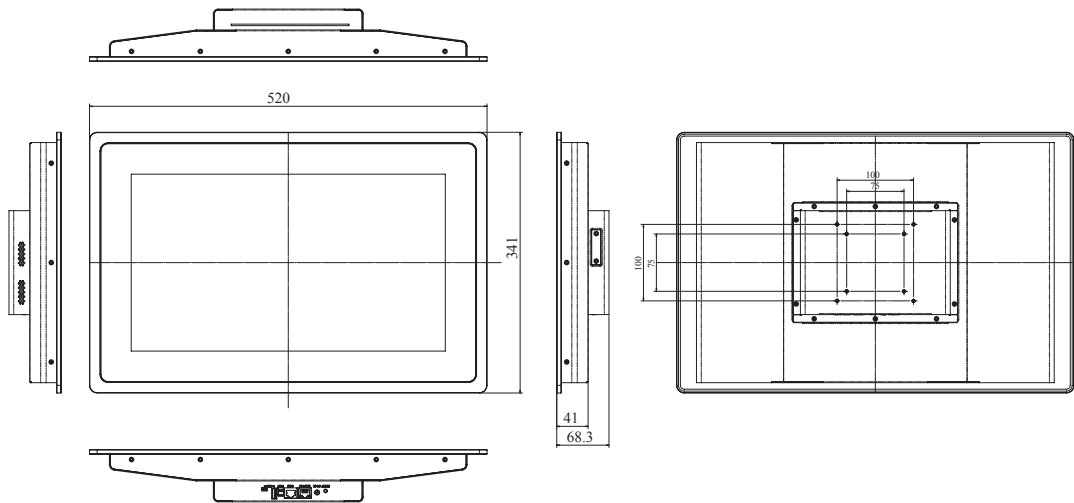
# BYARM-W071-PC / BYARM-181-PC

## Dimensions

BYARM-W071-PC



BYARM-181-PC



## Ordering Information

BYARM-W071-PC	RISC 7" (1024 x 600) Panel PC with projected capacitive touch, with IB113 i.MX6 Cortex A9 CPU, 1GB DDR3 on board, Android support, w/ 40W power adaptor
BYARM-181-PC	RISC 18.5" (1366 x 768) Panel PC with projected capacitive touch, with IB102 i.MX6 Cortex A9 CPU, 1GB DDR3 on board, Android support, w/ 60W power adaptor

Vertical Applications Panel PC  
 INOSP: Stainless Steel Panel PC  
 ASTUT: All-in-one Panel PC with Riser Card Expansion  
 BYTEM: Compact Panel PC  
 IPCC: Heavy-duty Industrial Panel PC  
 OFP FRAME PC  
 BYARM/MRS: ARM-Based Panel PC